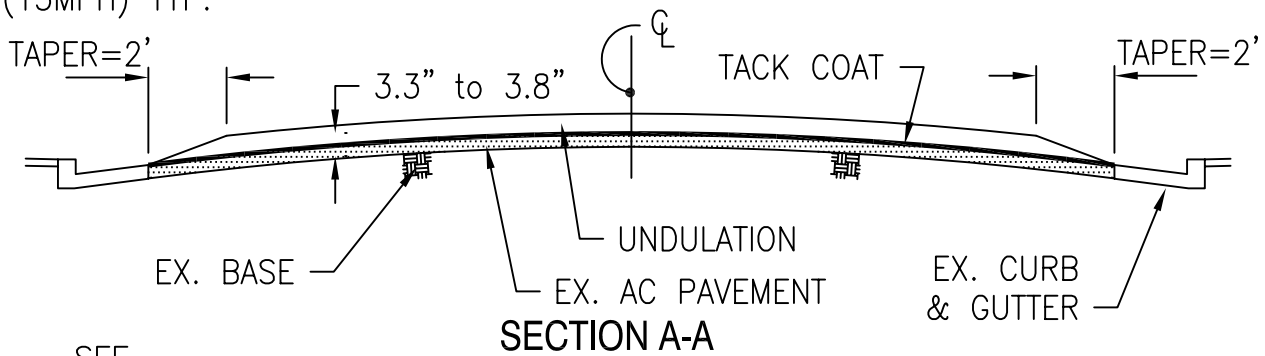
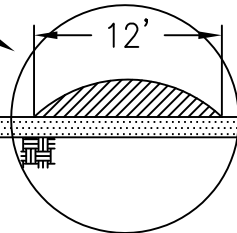


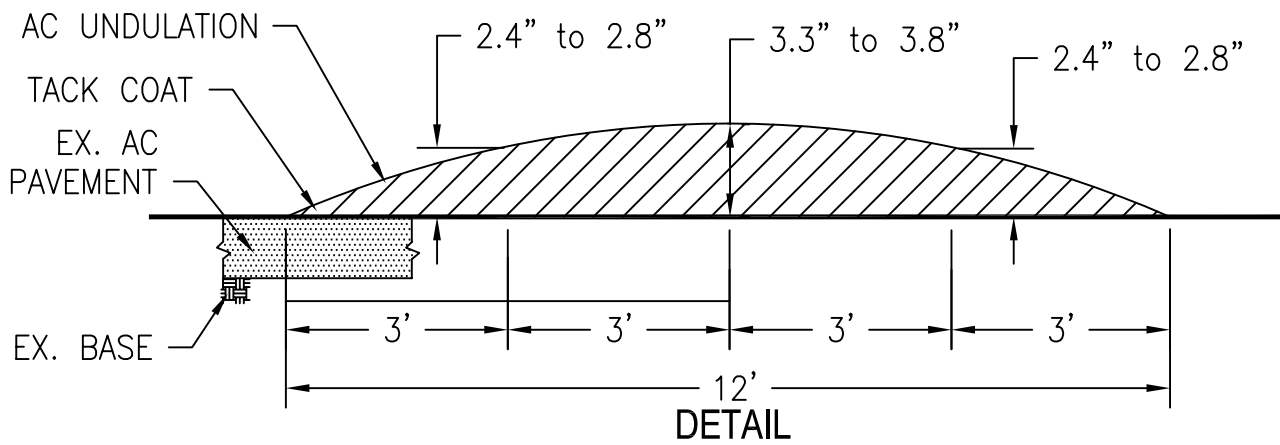
**PLAN**



SEE  
DETAIL



**SECTION B-B**



NOTE: THIS PLAN IS NOT A LEGAL ENGINEERING DOCUMENT BUT AN ELECTRONIC DUPLICATE. THE SIGNED CITY OF OAKLAND STANDARD DETAILS FOR PUBLIC WORKS CONSTRUCTION IS AVAILABLE FOR PURCHASE FROM THE CONTRACT ADMINISTRATION DEPARTMENT.

CITY OF OAKLAND

DESIGN AND CONSTRUCTION SERVICES DEPARTMENT



**PAVEMENT  
UNDULATION**

TRANSPORTATION SERVICES MANAGER

DATE : JANUARY 2002  
REV. DATE :

DWG.  
T-6